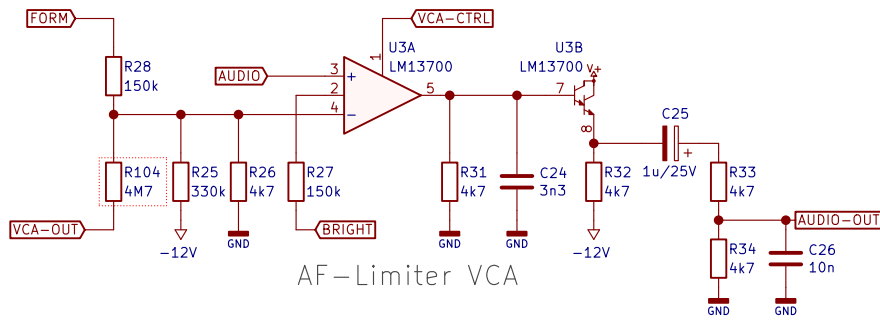
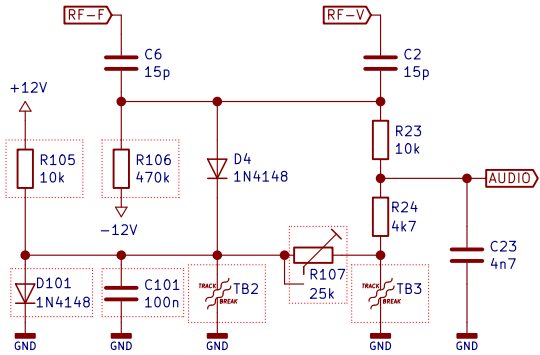
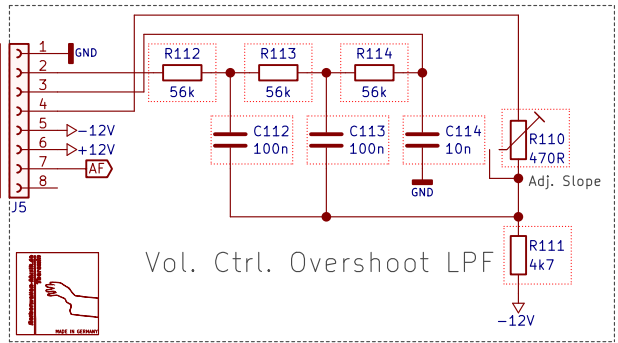
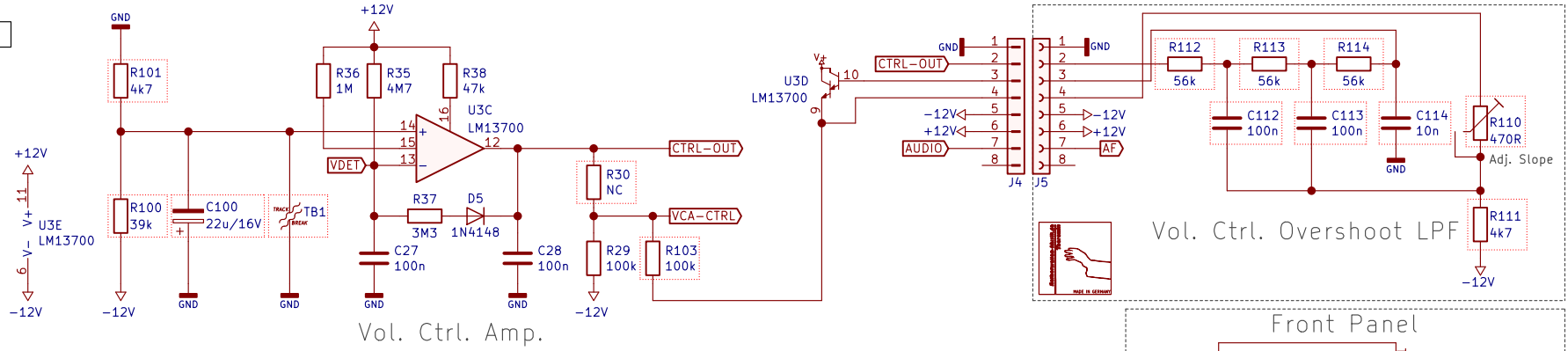
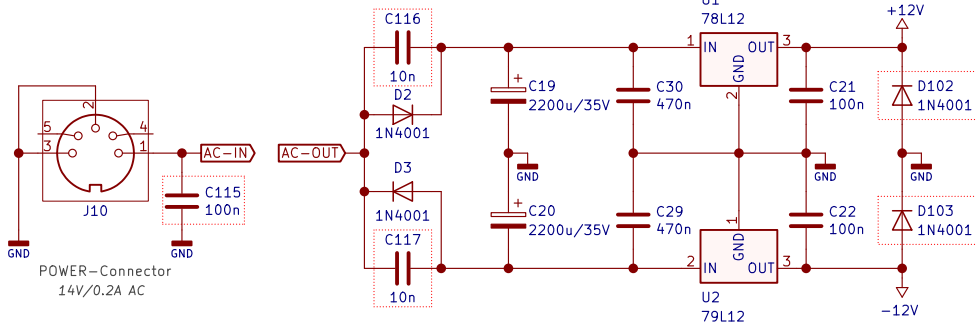


EW-MOD_RF-Circuit
EW-MOD_SCH02_0v2.sch

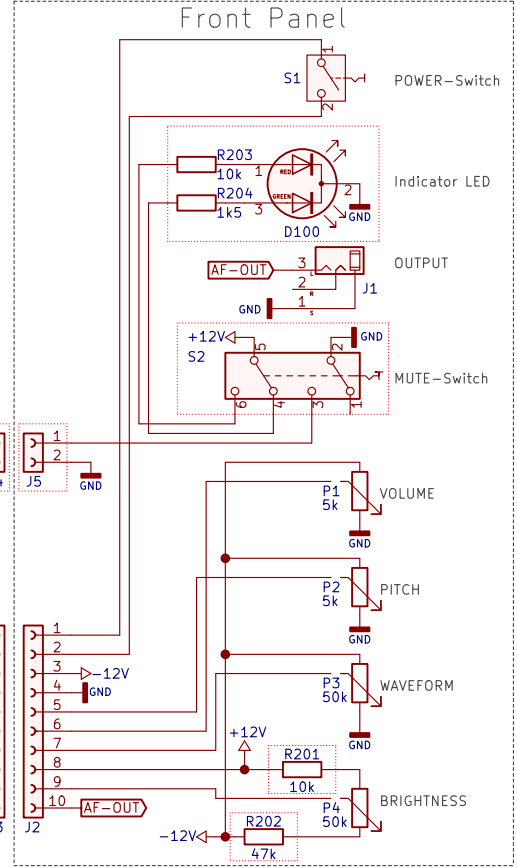


AF-Detector

AF-Limiter VCA



Power-Supply

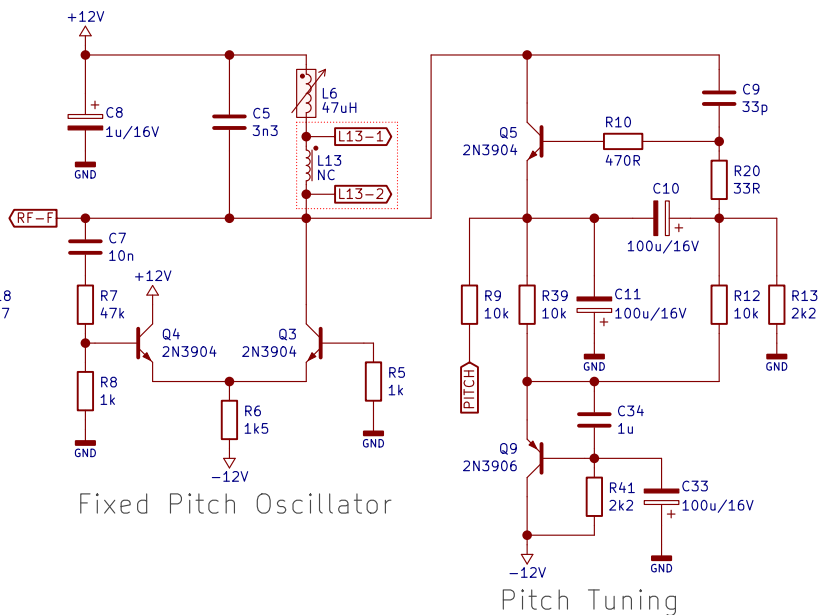
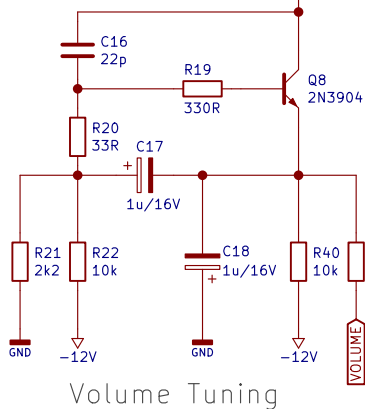
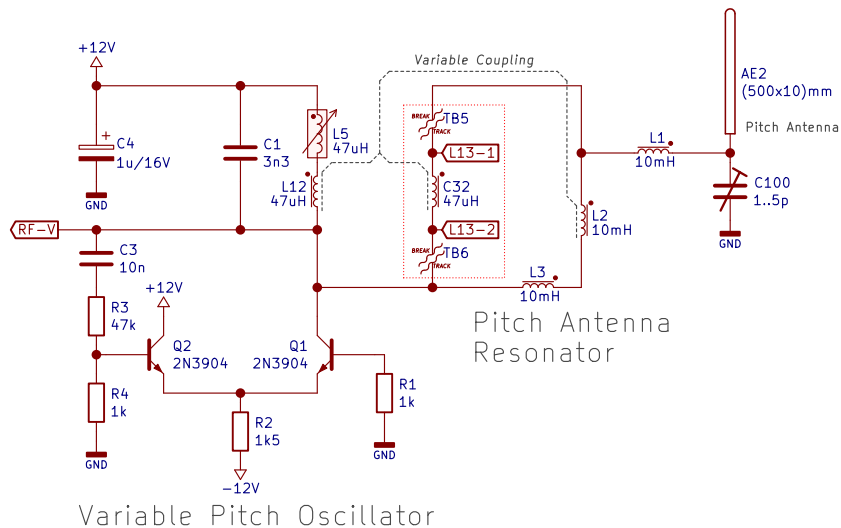
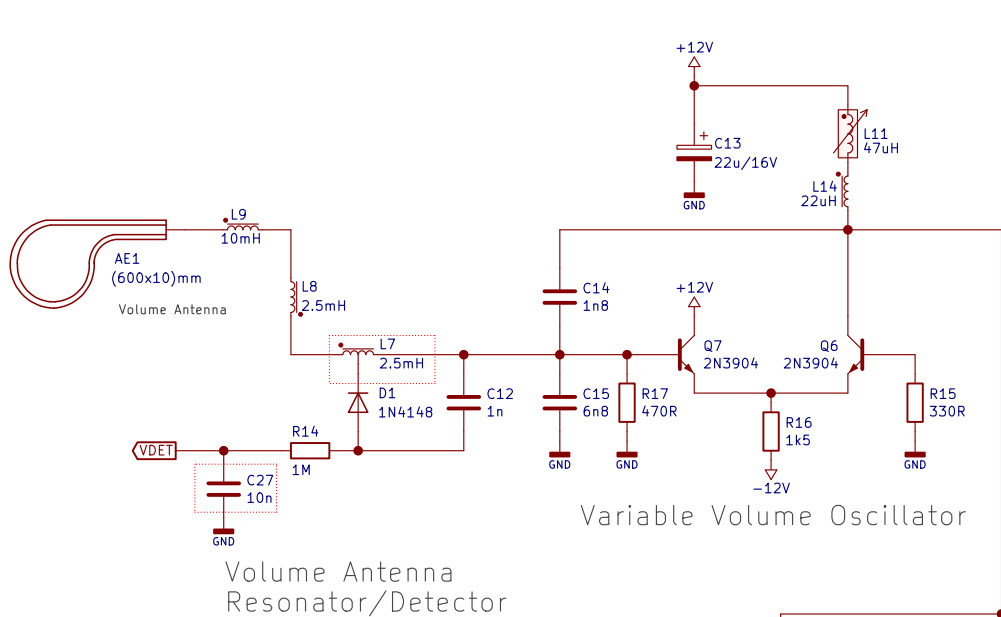


Front Panel

Aetherwellen-Musik.de
Theremin



| | | | |
|--|----------------------|--|--|
| Title: EW-Theremin Modification LF-Circuit | | Aetherwellen-Musik.de MADE IN GERMANY | |
| NOTE: Aetherwellen-Musik.de | | | |
| Originator: A. Klaus | Project: Rockmorizer | Date: 2022-01-05 | |
| Editor: A. Klaus | Status: DRAFT | Revision: 0.2 | |
| File: EW-MOD_SCH01_0v2.sch | Size: A4 | Sheet: 1 / 2 | |



Aetherwellen-Musik.de
Theremin



| | | | |
|--|----------------------|--|--------------|
| Title: EW-Theremin Modification RF-Circuit | | Aetherwellen-Musik.de MADE IN GERMANY | |
| NOTE: Aetherwellen-Musik.de | | | |
| Originator: A. Klaus | Project: Rockmorizer | Date: 2022-01-05 | |
| Editor: A. Klaus | Status: DRAFT | Revision: 0.2 | |
| File: EW-MOD_SCH02_0v2.sch | | Size: A4 | Sheet: 2 / 2 |