

FW Mod. RF-Circuit

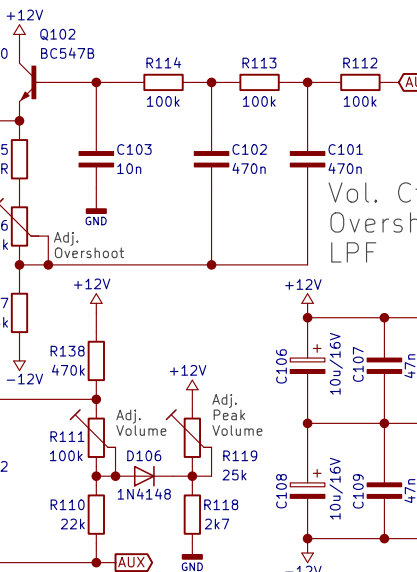
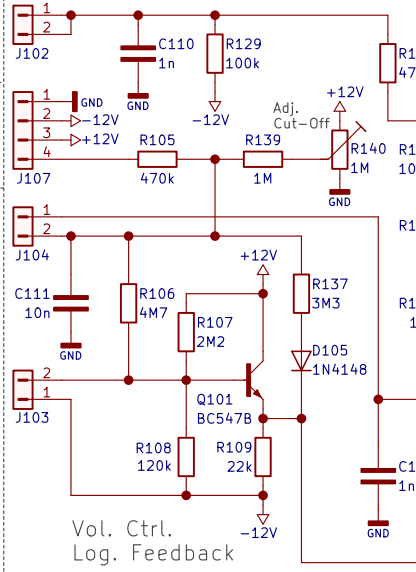
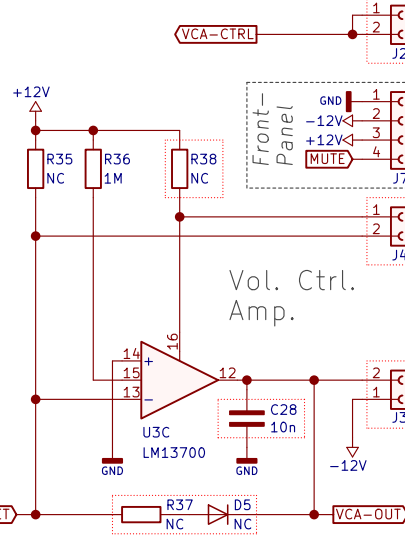
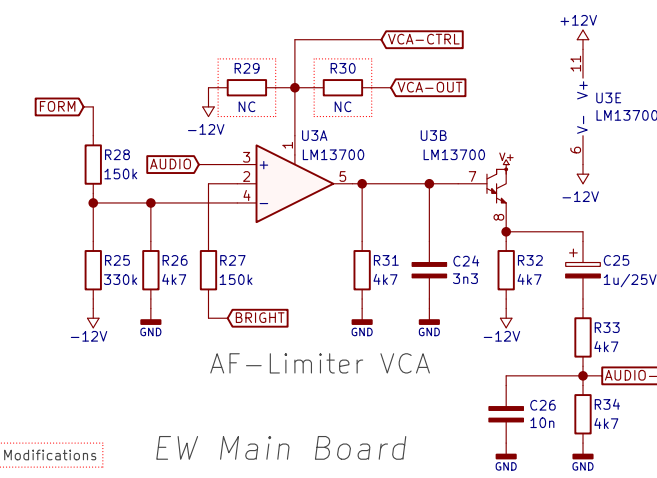
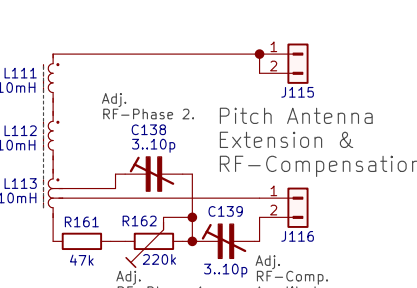
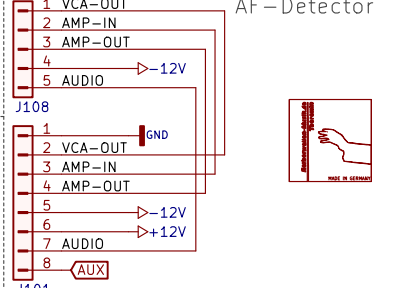
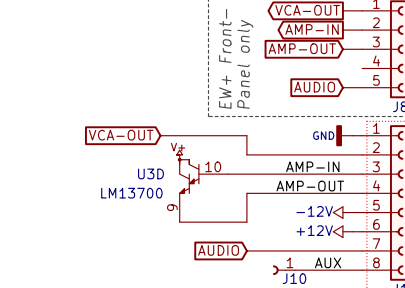
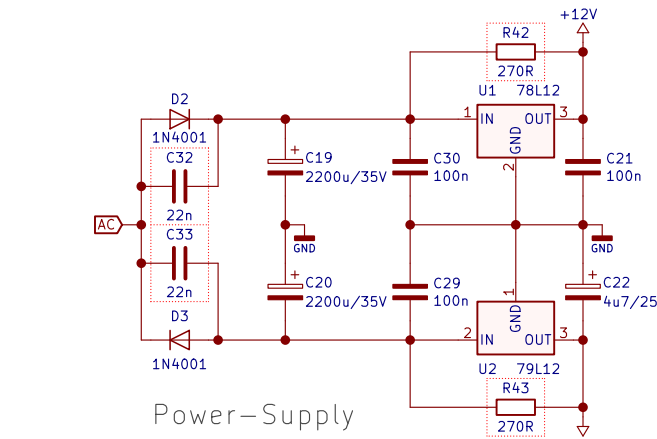
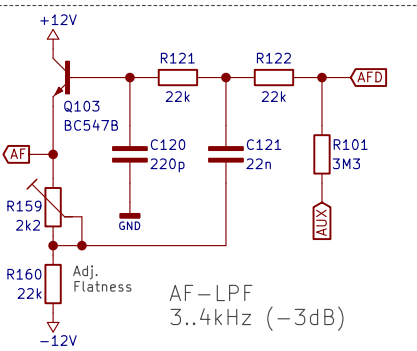
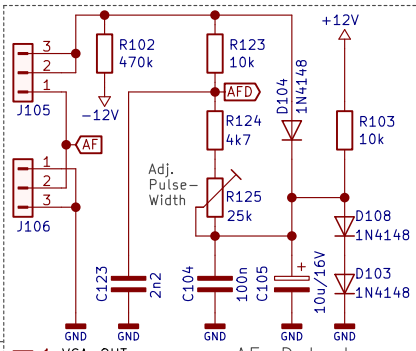
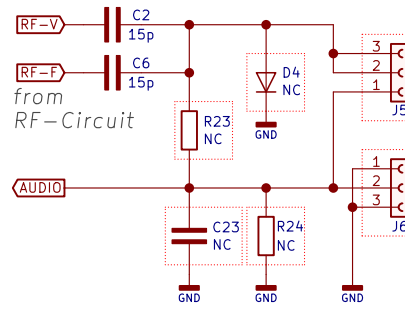
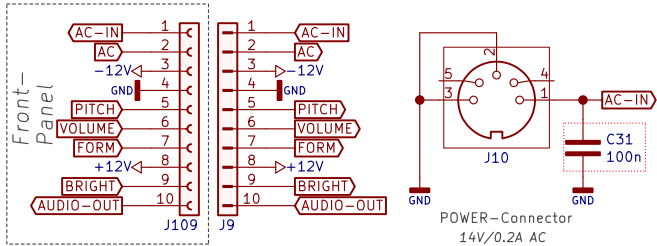
EW-MOD_06-2021_RF.sch

FW Mod. Mechanics

EW-MOD_06-2021_MECH.sch

FW Mod. Frontpanel Circuit

EW-MOD_06-2021_FP.sch



EW Rockmorizer Extension Board

Note: Pitch-Indicator not included!

Modifications

EW Main Board

Aetherwellen-Musikcode
Theremin



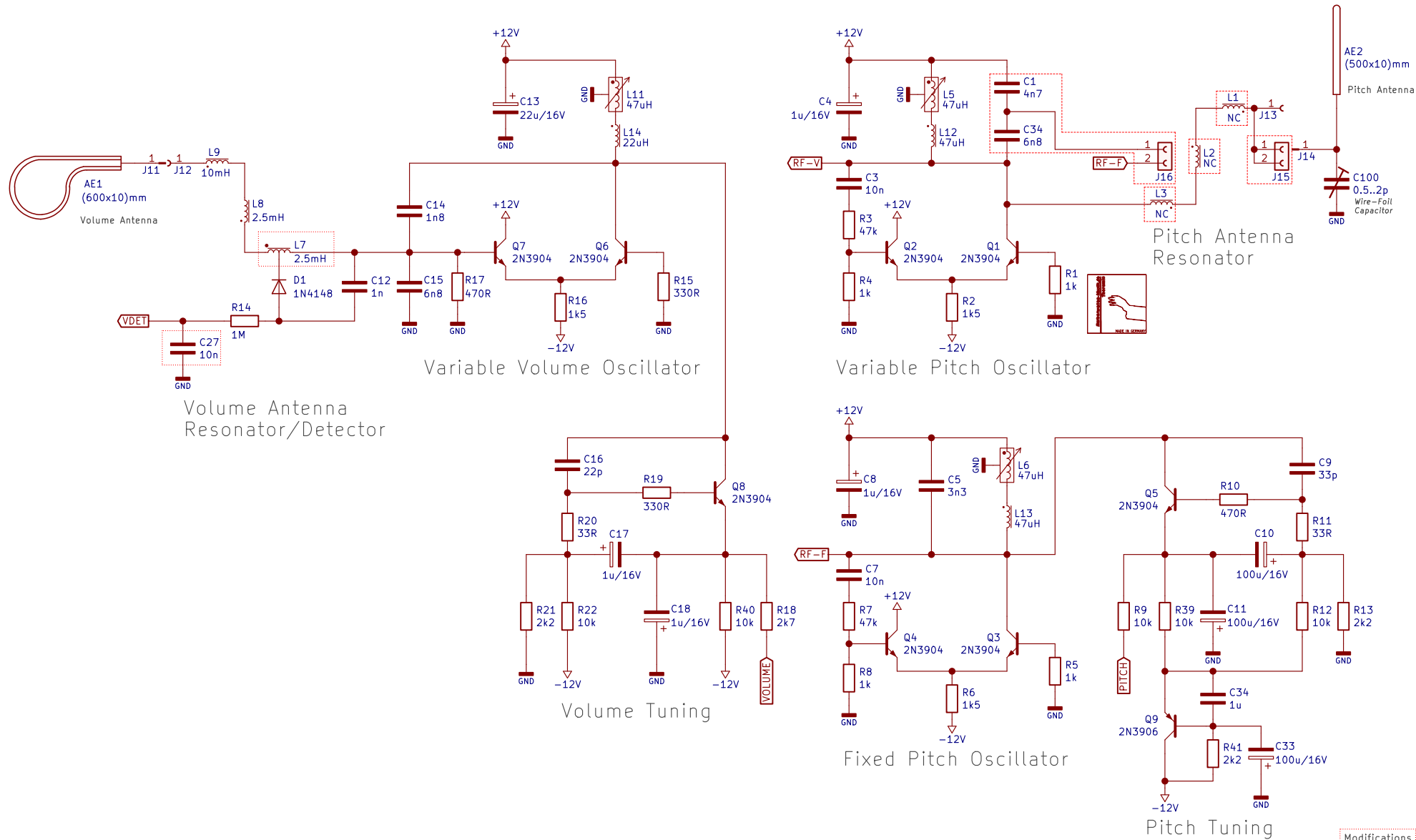
Title: EW-Mod. 06-2021 LF Circuit

NOTE: Non-commercial use only!

Originator: A. Klaus	Project: Rockmorizer Theremin	Date: 2021-06-16
Editor: A. Klaus	Status: DRAFT	Revision: 1.2
File: EW-MOD_06-2021.sch		Size: A4

Aetherwellen-Musik.de
MADE IN GERMANY

Sheet: 1 / 4



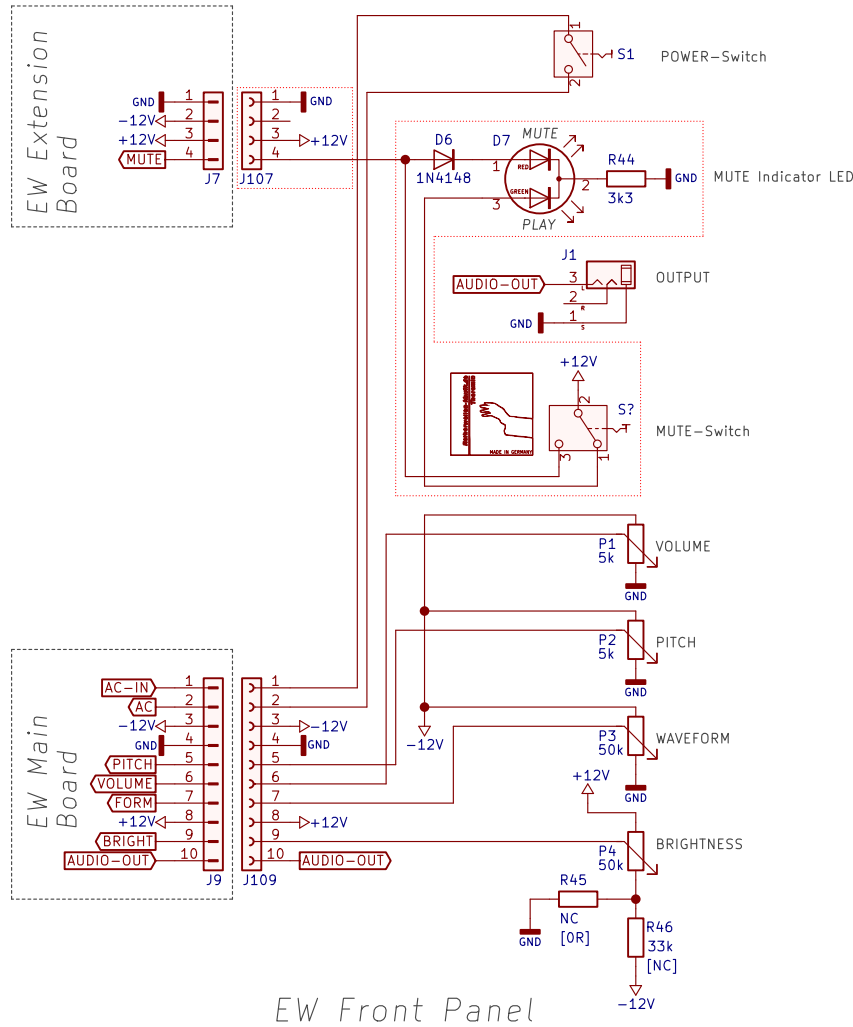
EW Main Board

Aetherwellen-Musik.de
Theremin



Title: EW-Mod. 06-2021 RF Circuit		Aetherwellen-Musik.de MADE IN GERMANY	
NOTE: Non-commercial use only!			
Originator: A. Klaus	Project: Rockmorizer Theremin	Date: 2021-06-16	
Editor: A. Klaus	Status: DRAFT	Revision: 1.2	
File: EW-MOD_06-2021_RF.sch		Size: A4	Sheet: 2 / 4

Modifications



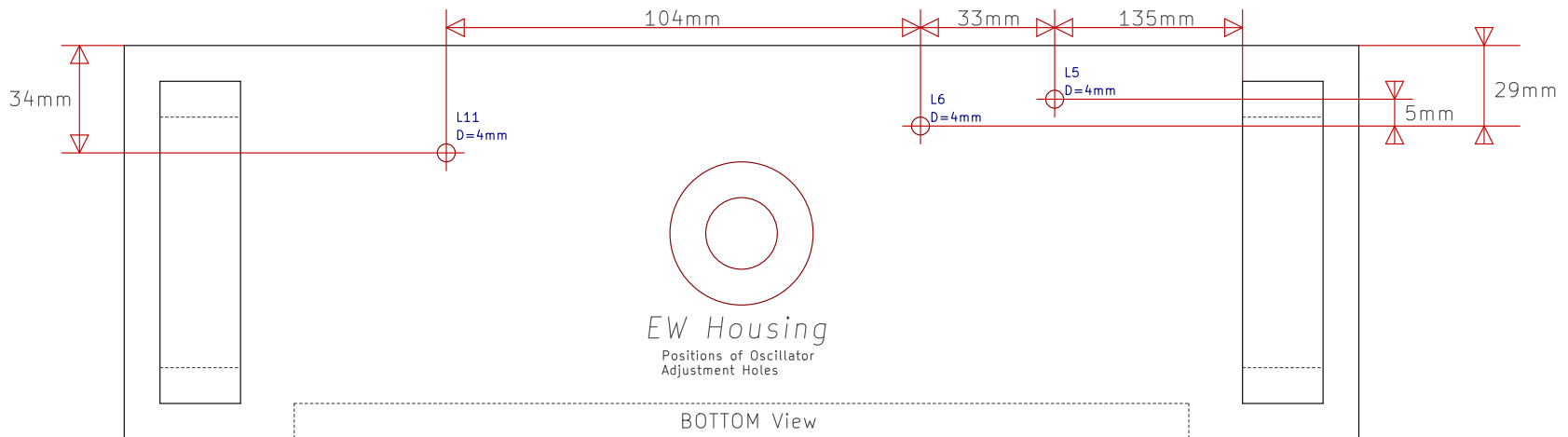
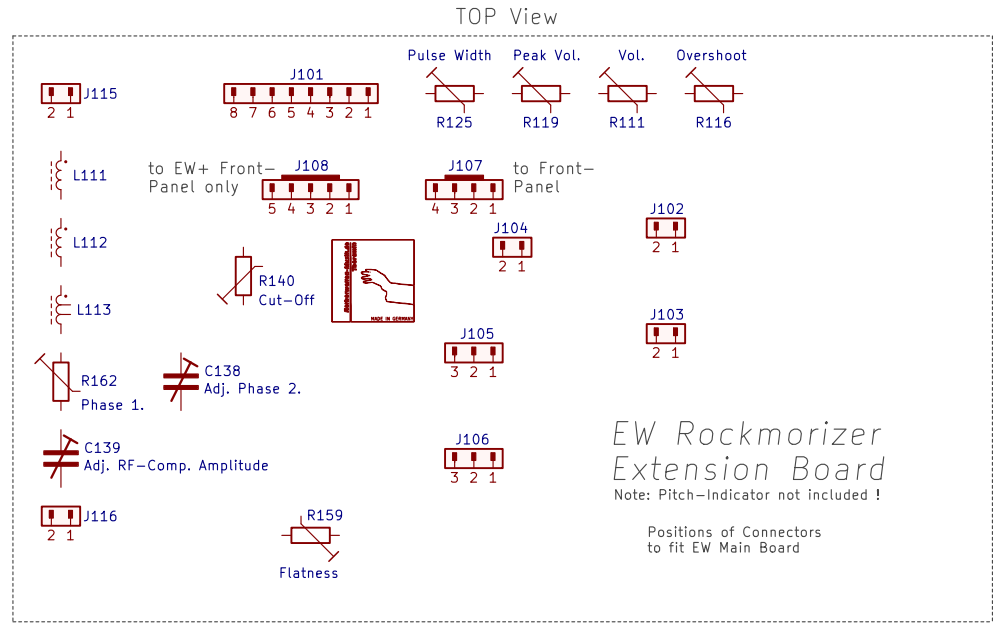
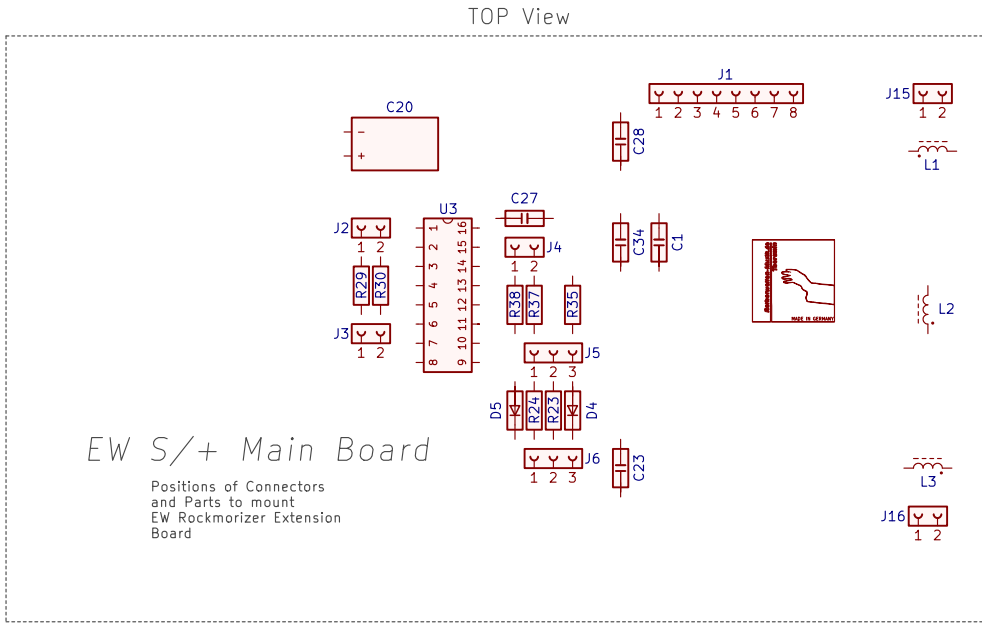
EW Front Panel

Aetherwellen-Musik.de
Theremin

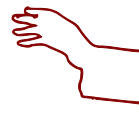


Modifications

Title: EW-Mod. 06-2021 FP Circuit		Aetherwellen-Musik.de MADE IN GERMANY	
NOTE: Non-commercial use only!			
Originator: A. Klaus	Project: Rockmorizer Theremin	Date: 2021-06-16	Sheet: 3 / 4
Editor: A. Klaus	Status: DRAFT	Revision: 1.2	
File: EW-MOD_06-2021_FP.sch	Size: A4		



Aetherwellen-Musik.de
Theremin



Title: EW-Mod. 06-2021 Mechanics		Aetherwellen-Musik.de MADE IN GERMANY	
NOTE: Non-commercial use only!		Date: 2021-06-16	Sheet: 4 / 4
Originator: A. Klaus	Project: Rockmorizer Theremin	Revision: 1.2	
Editor: A. Klaus	Status: DRAFT	Size: A4	
File: EW-MOD_06-2021_MECH.sch			