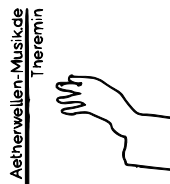
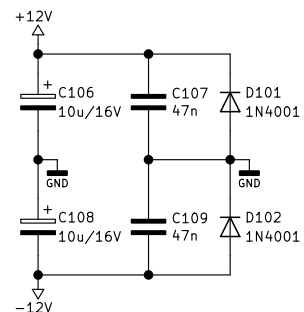
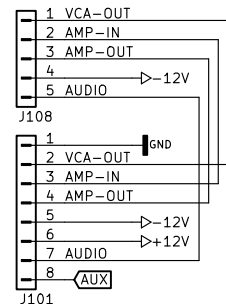


EW Rockmorizer Extension Board (EW-REB)

This population of components represents the EW S/+ Theremin's Rockmorizer sound/volume configuration!



Title: EW-REB 12-2020 Circuit		Aetherwellen-Musik.de MADE IN GERMANY	
NOTE: Non-commercial use only! All rights reserved!			
Originator: A. Klaus	Project: Rockmorizer Theremin	Date: 2020-12-19	
Editor: A. Klaus	Status: DRAFT	Revision: 0.1	
File: EW-REB_12-2020_SCH.sch		Size: A4	Sheet: 1 / 1