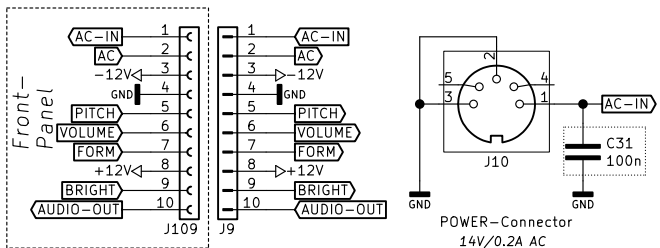


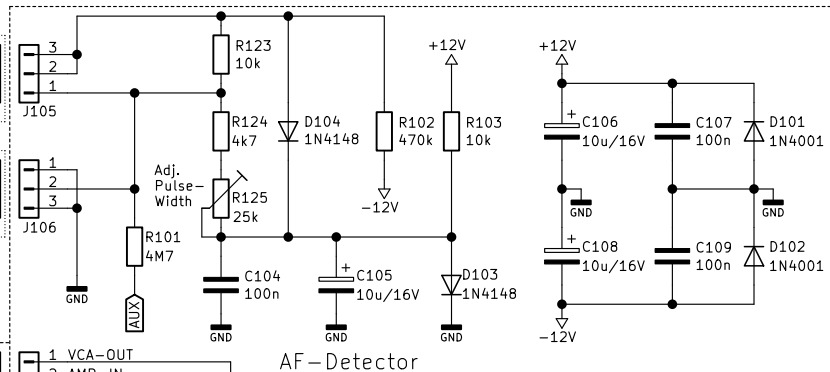
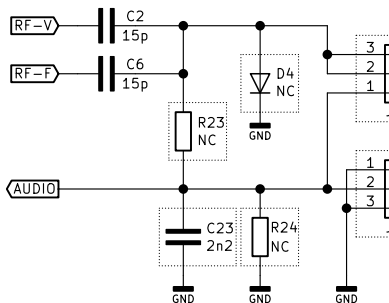
FW Mod. RF-Circuit
EW-MOD_12-2020_RF_SCH.sch

FW Mod. Mechanics
EW-MOD_12-2020_MECH_SCH.sch

FW Mod. Frontpanel Circuit
EW-MOD_12-2020_FP_SCH.sch

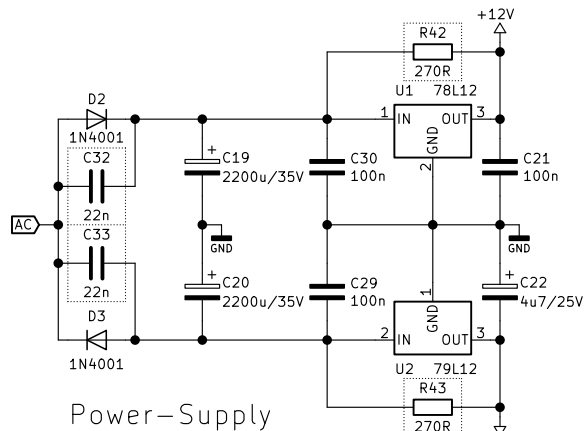
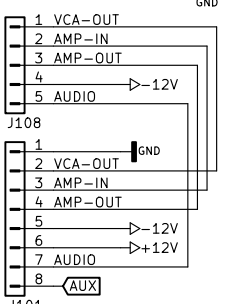
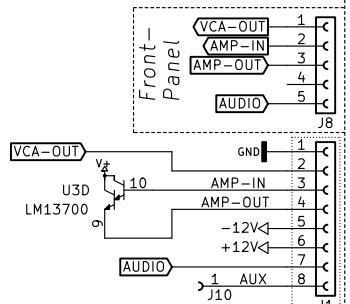


from RF-Circuit

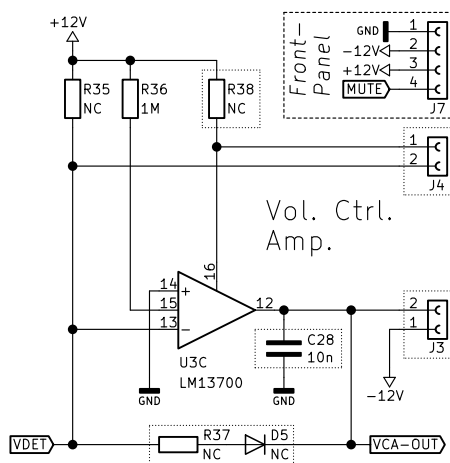


AF-Detector

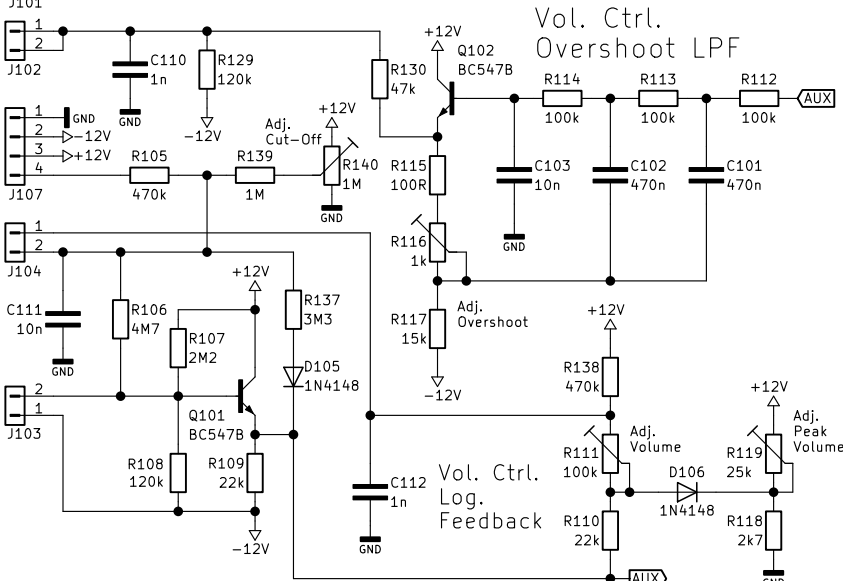
EW Rockmorizer Extension Board



Power-Supply



Vol. Ctrl. Amp.



Vol. Ctrl. Overshoot LPF

Vol. Ctrl. Log. Feedback

Adj. Volume
Adj. Peak Volume

Modifications

EW Main Board



Title: EW-Mod. 12-2020 LF Circuit

Aetherwellen-Musik.de
MADE IN GERMANY

NOTE: Non-commercial use only!

Originator: A. Klaus Project: Rockmorizer Theremin

Date: 2020-12-21

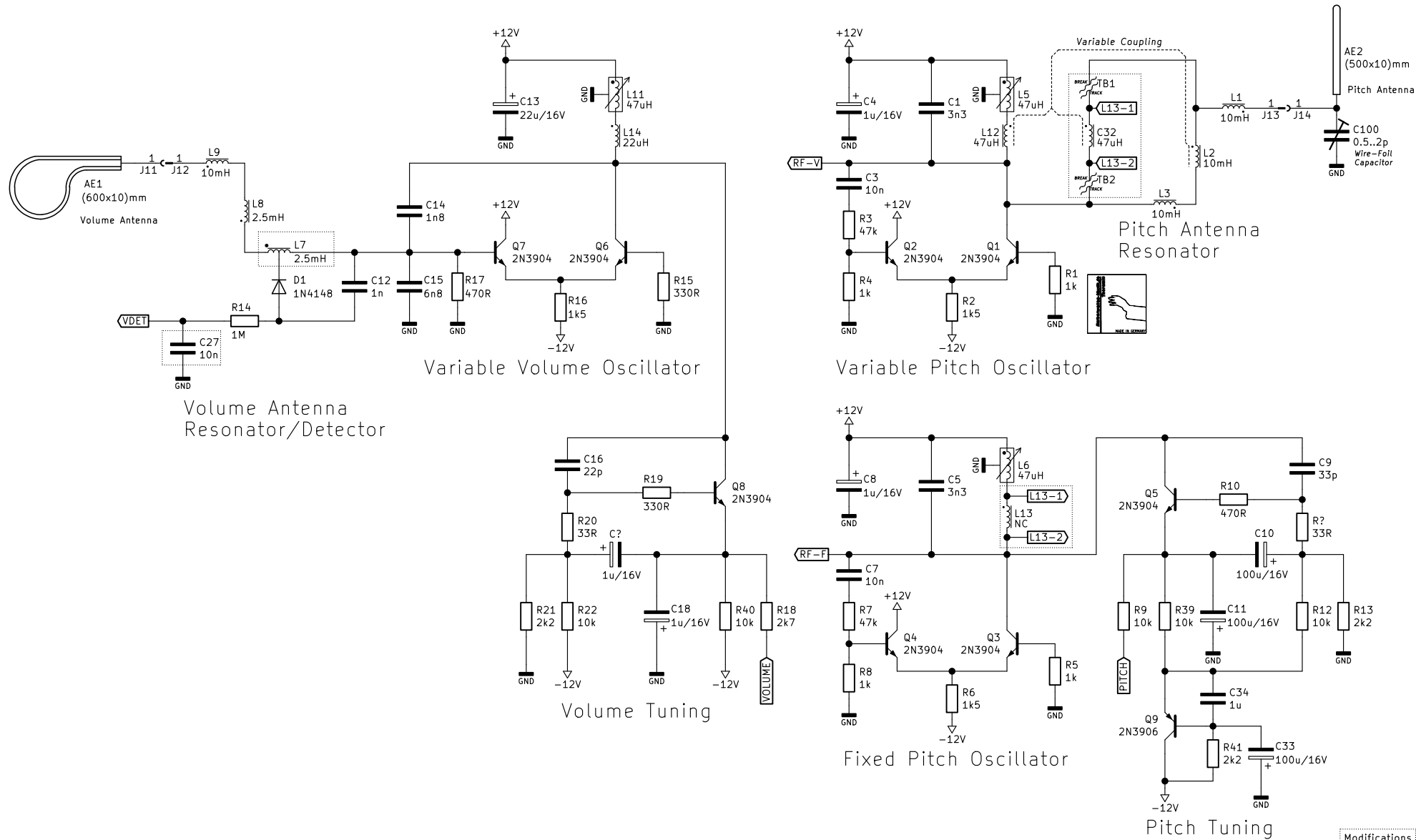
Editor: A. Klaus Status: RELEASE

Revision: 1.1

File: EW-MOD_12-2020_SCH.sch

Size: A4

Sheet: 1 / 4



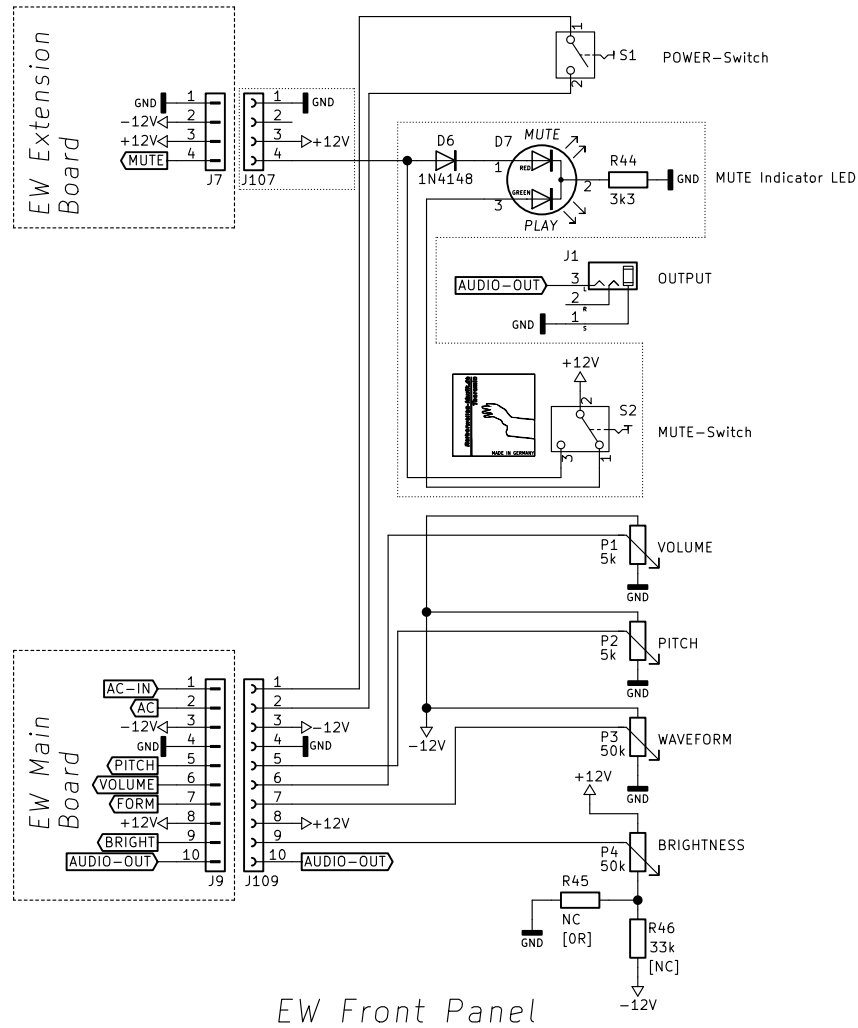
EW Main Board

Aetherwellen-Musik.de
Theremin



Title: EW-Mod. 12-2020 RF Circuit		Aetherwellen-Musik.de MADE IN GERMANY	
NOTE: Non-commercial use only!			
Originator: A. Klaus	Project: Rockmorizer Theremin	Date: 2020-12-21	
Editor: A. Klaus	Status: RELEASE	Revision: 1.1	
File: EW-MOD_12-2020_RF_SCH.sch		Size: A4	Sheet: 2 / 4

Modifications



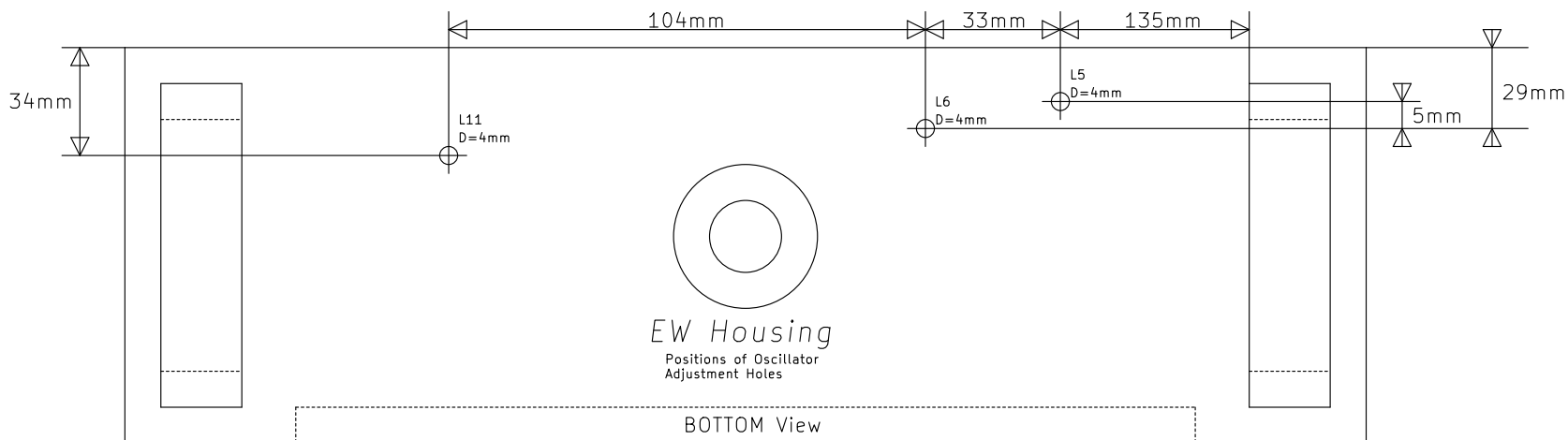
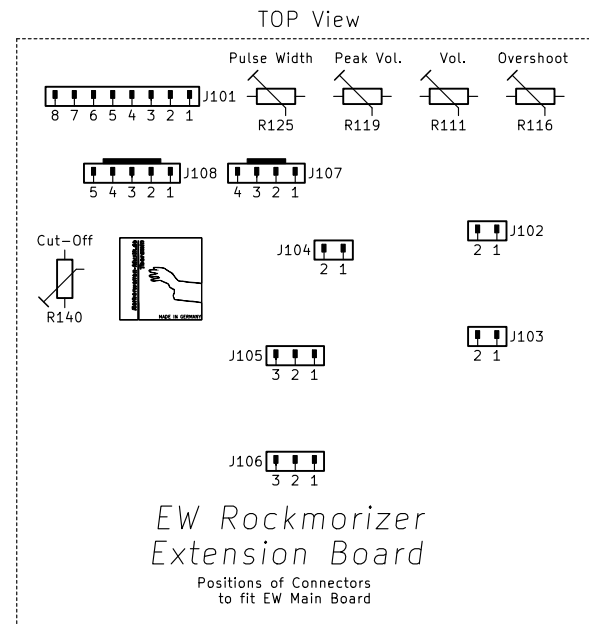
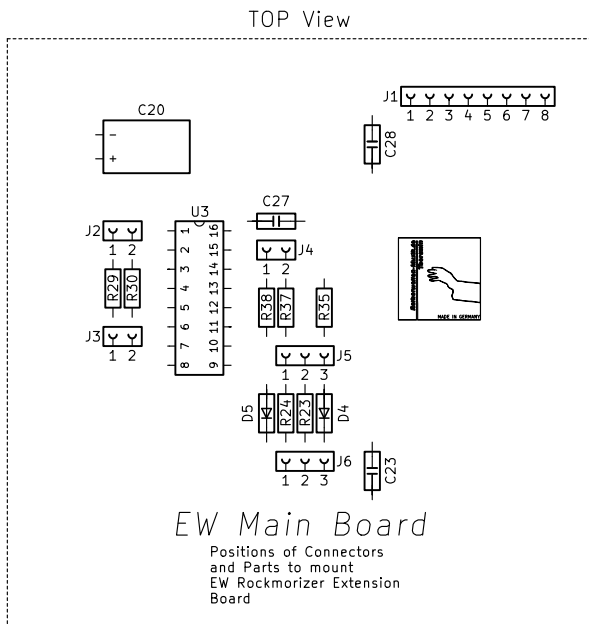
EW Front Panel

Aetherwellen-Musik.de
Theremin



Modifications

Title: EW-Mod. 12-2020 FP Circuit		Aetherwellen-Musik.de MADE IN GERMANY	
NOTE: Non-commercial use only!			
Originator: A. Klaus	Project: Rockmorizer Theremin	Date: 2020-12-21	Sheet: 3 / 4
Editor: A. Klaus	Status: RELEASE	Revision: 1.1	
File: EW-MOD_12-2020_FP_SCH.sch	Size: A4		



Title: EW-Mod. 12-2020 Mechanics		Aetherwellen-Musik.de <small>MADE IN GERMANY</small>	
NOTE: Non-commercial use only!			
Originator: A. Klaus	Project: Rockmorizer Theremin	Date: 2020-12-21	
Editor: A. Klaus	Status: RELEASE	Revision: 1.1	
File: EW-MOD_12-2020_MECH_SCH.sch	Size: A4	Sheet: 4 / 4	