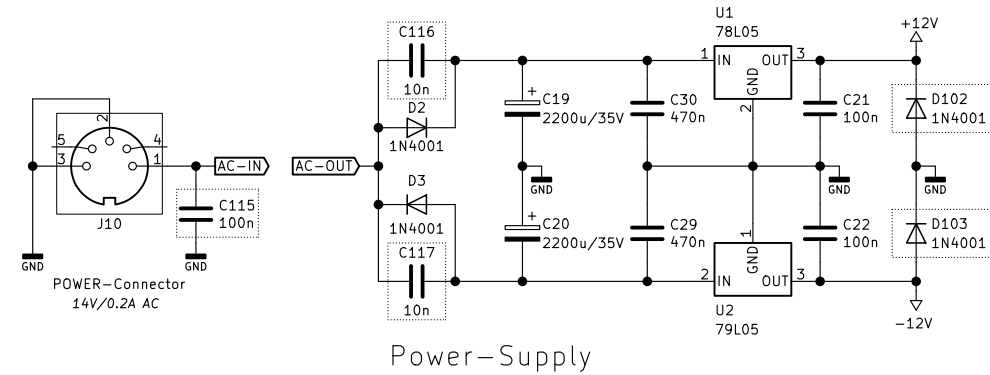
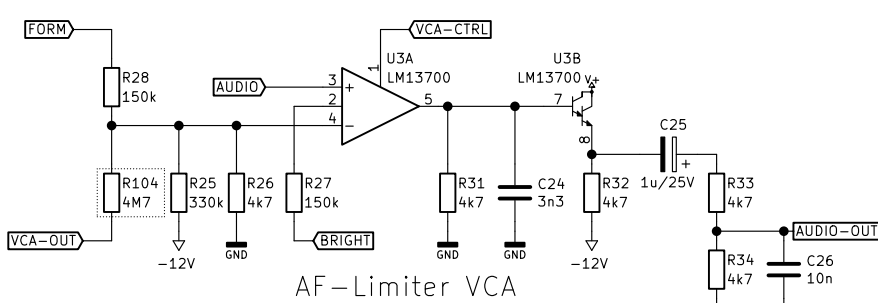
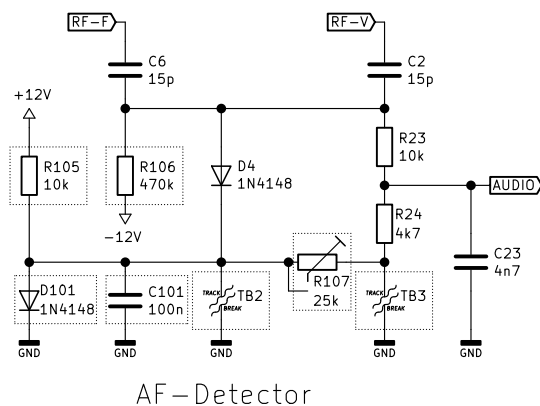
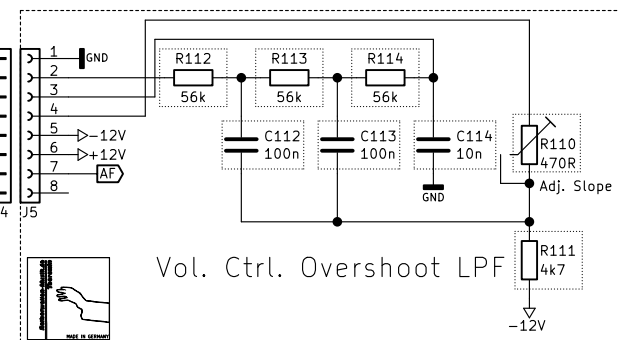
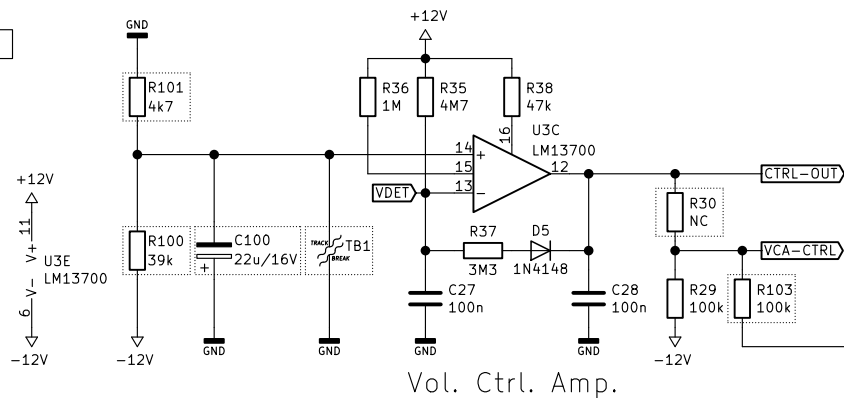
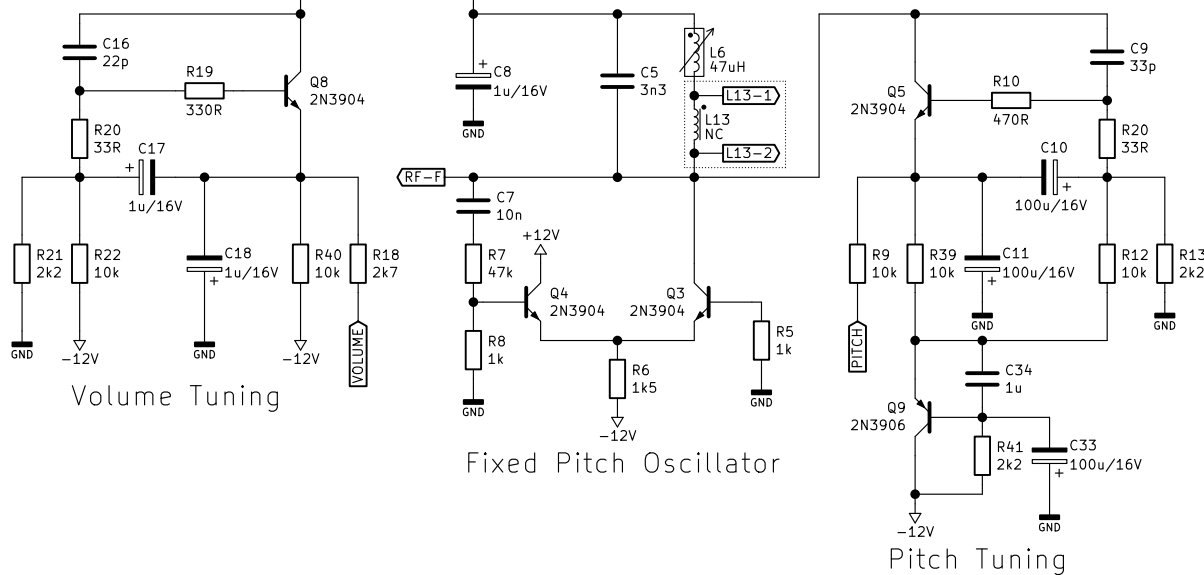
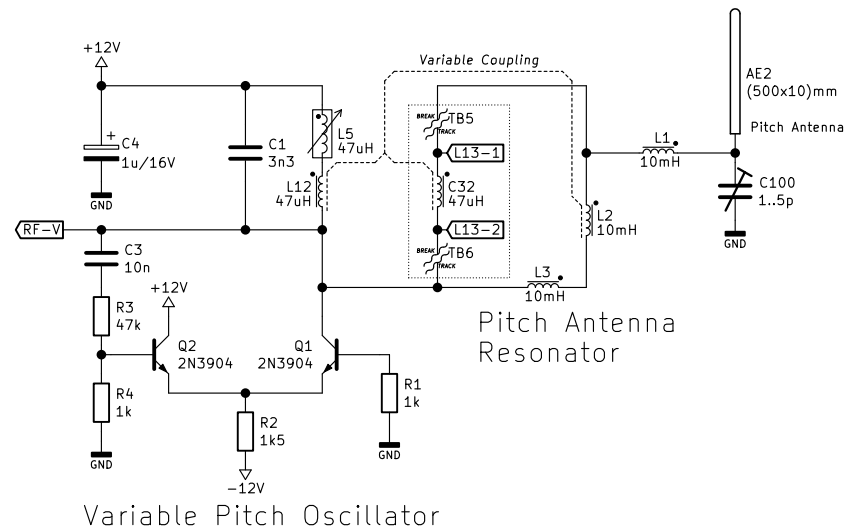
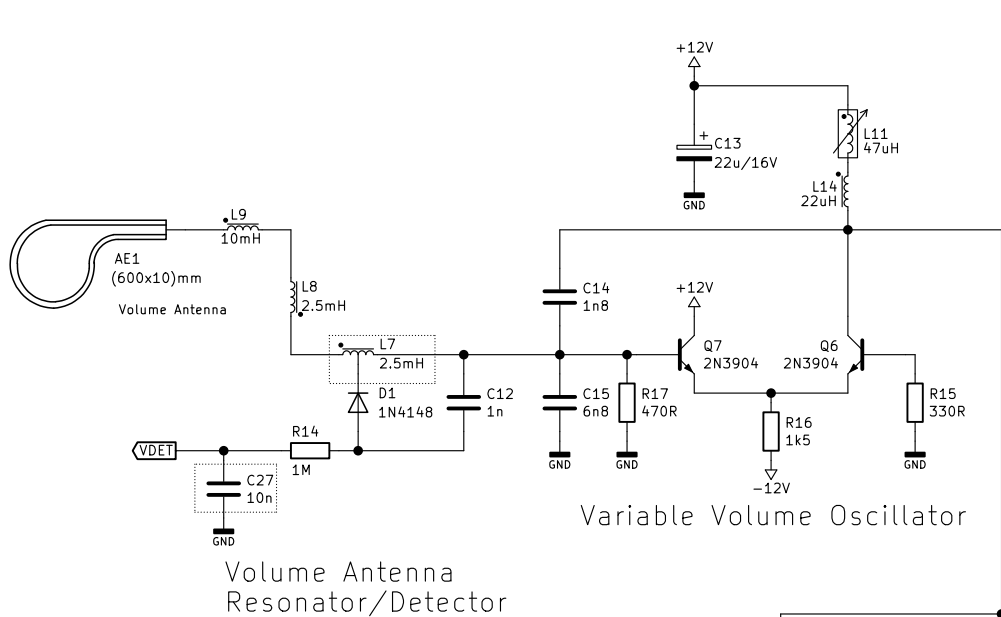


EW-MOD_RF-Circuit
EW-MOD_SCH02_Ov1.sch





Aetherwellen-Musik.de
Theremin



Title: EW-Theremin Modification RF-Circuit		Aetherwellen-Musik.de MADE IN GERMANY	
Originator: A. Klaus	Project: Rockmorizer	Date: 2020-05-10	Sheet: 2 / 2
Editor: A. Klaus	Status: DRAFT	Revision: 0.1	
File: EW-MOD_SCH02_0v1.sch	Size: A4		