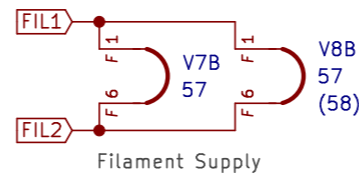
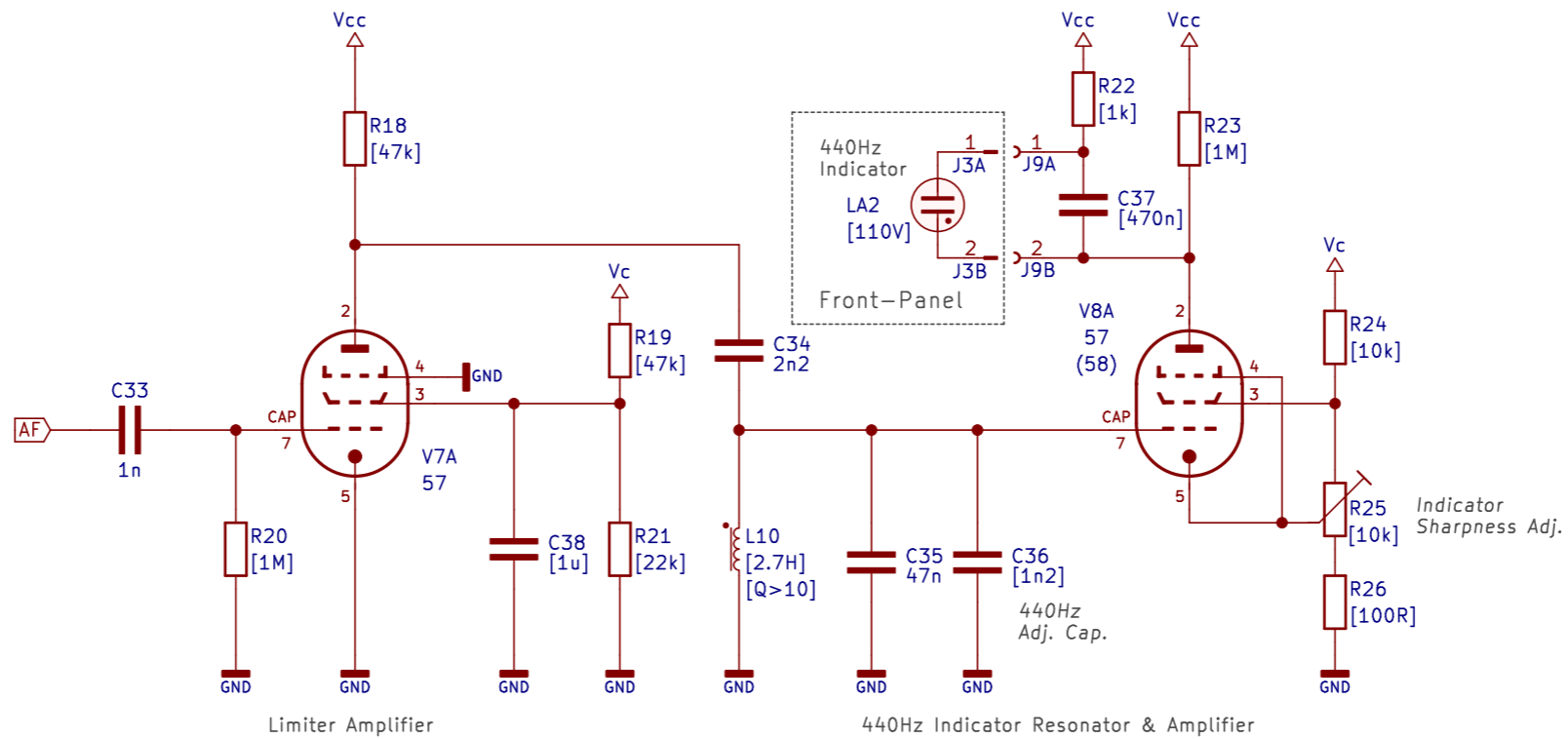


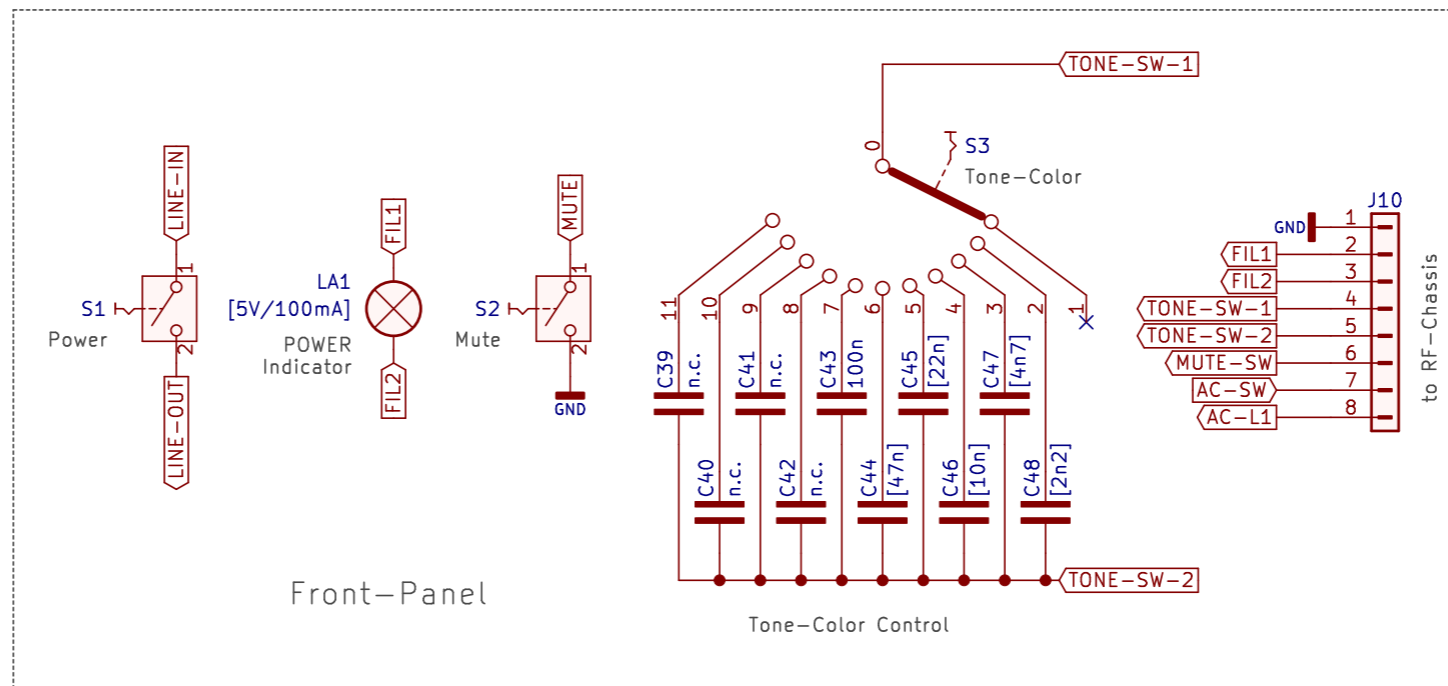
Notes:  
 Values within square brackets [] indicate proposed values!  
 C18: Value has to be chosen according to lumped capacity of L5  
 C23, C28: Value has to be chosen according to lumped capacity of L7 and L9  
 L4: Value has to be chosen according to antenna ANT1 capacity to ground  
 L10: Value has to be chosen according to antenna ANT2 capacity to ground

Title: Rockmore-Theremin RF/PSU/PA		Aetherwellen-Musik.de MADE IN GERMANY	
The schematic represents the assumed circuit! Non-commercial use only!			
Originator: A. Klaus	Project: Rockmorizer	Date: 2020-06-14	Sheet: 1 / 2
Editor: A. Klaus	Status: DRAFT	Revision: 0.2	
File: Rockmore-Theremin_SCH01_0v2.sch	Size: A4		

Aetherwellen-Musik.de  
Theremin



RF Chassis



Notes:

- Values within square brackets [] indicate proposed values!
- L10: Audio-Choke or Audio-Transformer
- C36: Capacitor value to be chosen according to L10 characteristics
- C37: Capacitor only assembled for 440Hz flashing indication
- LA2: 90V to 110V Neon Lamp

Aetherwellen-Musik.de  
Theremin

Title: Rockmore-Theremin FP/440Hz Indic.  
 The schematic represents the assumed circuit!  
 Non-commercial use only!

**Aetherwellen-Musik.de**  
 MADE IN GERMANY

Originator: A. Klaus	Project: Rockmorizer	Date: 2020-06-14	Sheet: 2 / 2
Editor: A. Klaus	Status: DRAFT	Revision: 0.2	
File: Rockmore-Theremin_SCH02_0v2.sch	Size: A4		