

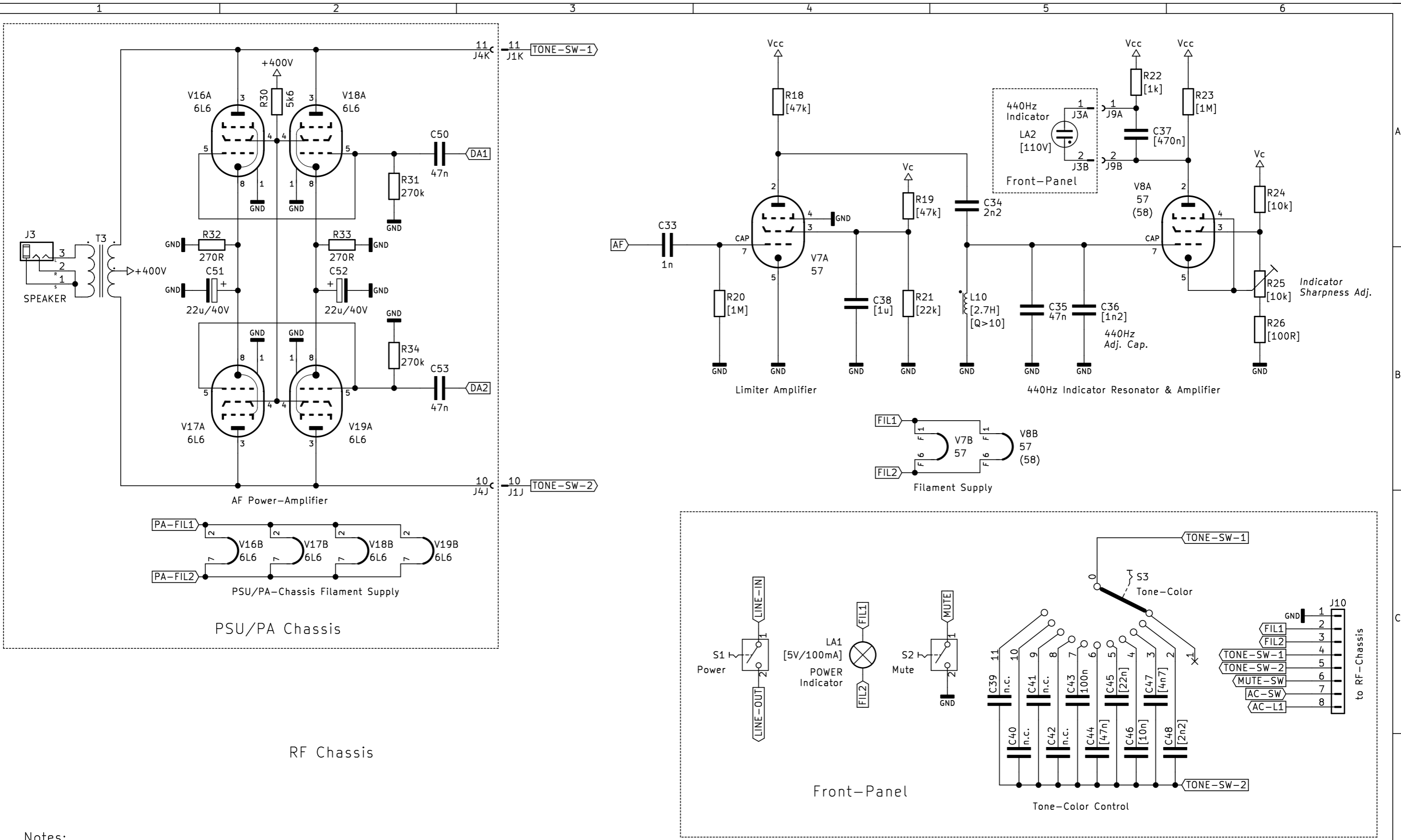
Notes:
 Values within square brackets [] indicate proposed values!
 C18: Value has to be chosen according to lumped capacity of L5
 C23, C28: Value has to be chosen according to lumped capacity of L7 and L9
 L4: Value has to be chosen according to antenna ANT1 capacity to ground
 L10: Value has to be chosen according to antenna ANT2 capacity to ground

Title: Rosen-Theremin RF/PSU/PA
 The schematic represents the assumed circuit!
 Non-commercial use only!

Originator: A. Klaus	Project: Rockmorizer	Date: 2020-06-14
Editor: A. Klaus	Status: DRAFT	Revision: 0.1
File: Rosen-Theremin_SCH01_0v1.sch		Size: A4

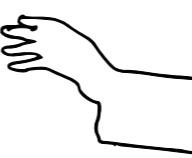
Aetherwellen-Musik.de
 MADE IN GERMANY

Sheet: 1 / 2



Notes:
 Values within square brackets [] indicate proposed values!
 L10: Audio-Choke or Audio-Transformer
 C36: Capacitor value to be chosen according to L10 characteristics
 C37: Capacitor only assembled for 440Hz flashing indication
 LA2: 90V to 110V Neon Lamp

Aetherwellen-Musik.de
Theremin



Title: Rosen-Theremin FP/PA/440Hz-Ind. The schematic represents the assumed circuit! Non-commercial use only!		Aetherwellen-Musik.de MADE IN GERMANY	
Originator: A. Klaus	Project: Rockmorizer	Date: 2020-06-14	Sheet: 2 / 2
Editor: A. Klaus	Status: DRAFT	Revision: 0.1	
File: Rosen-Theremin_SCH02_0v1.sch	Size: A4		